

The LED flood lighting can focus and spot the lighting to a far distance and light big area, not just indoor but also outdoor, built-in driver, compact size, easy to install, widely used in warehouse factory & commercial & Industrial area

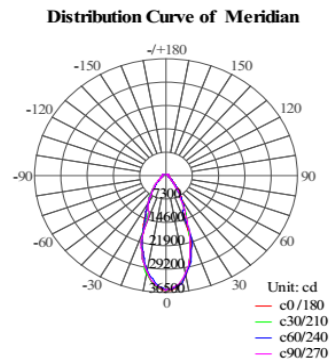


TECHNICAL CHARACTERISTICS

Input Voltage	: 230V/AC 50HZ
Rating Power	: 300W
Electronic Driver	: Integrated High Performance Isolated Driver
Power Factor (PF)	: >0.9
Body Color	: Black
Beam Angle	: 120°
Color Temperature	: 3000K/ 4000K / 6500K



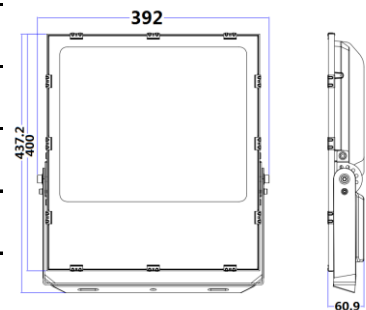
Working Temperature	: +60°C
PROTECTION	High voltage cut-off to protect circuitry Short & Over loading protect circuitry IP66 for waterproof



CONSTRUCTION	Aluminum body Tempered Glass Metal hanger
--------------	---

DIMENSION (mm)

DIMENSION	: 41*37*46.5
PACKING	: One unit Per carton
APPLICATION	: Indoor / Outdoor
COMPLIANCE	: SAA
WARRANTY	: 3 YEARS



ORDERING INFORMATION

MODEL	LIFE SPAN	WEIGHT GROSS
ST-TG30092B	50,000 HOURS	5.20Kg